

Safety First

The Form 2 is a precision tool. When used properly, it will help you create beautiful prints. Like any professional equipment, you should treat the printer, materials, and accessories with respect and care to ensure a safe working environment and a long-lasting machine.



SUPERVISION

The Form 2 is an excellent educational tool. Supervise young, inexperienced users to ensure enjoyable and safe operation.



DO NOT MODIFY

The Form 2 printer is for use as-is. Modifying the printer without explicit approval and directions from Formlabs will invalidate your warranty, and could potentially ruin the machine and cause you bodily harm.

Caution – Use of controls or adjustments or performance of procedures other than those specified herein may result in hazardous radiation exposure.



LASER

The Form 2 is a Class 1 Laser product. Accessible radiation is within Class 1 limits. The laser diode used inside the device has the following specifications:



Diode: Violet (405 nm)
Max Output: 250 mW

The laser beam is harmful to the eyes, so avoid direct contact. The Form 2 contains an interlock system to automatically shut off the laser when the cover is open. If this system is tampered with or fails, there is a risk of exposure to Class 3B laser light.

Laser Certification

- IEC 60825-1:2007
- EN 60825-1:2007

FDA performance standards for laser products except for deviations pursuant to Laser Notice No. 50, dated June 24, 2007

Packaging & Returns



PACKAGING

There are 3 boxes that make up your Form 2 package. The Form 2 Finish Kit and Resin Cartridge will arrive separately from your printer.

Please save your packaging! Take care when opening. Lift and remove the foam insert containing your accessories. Use the cardboard frame to lift out the printer, reaching inside the box to grab the handles. *Retain all packaging and inserts for warranty service.*



RETURNS

Formlabs accepts returns for unopened, unused, undamaged products within 30 days of the shipment date. Returns must be authorized by Formlabs. Visit formlabs.com/support/shipping for more detailed information about returning your purchase.



WARRANTY

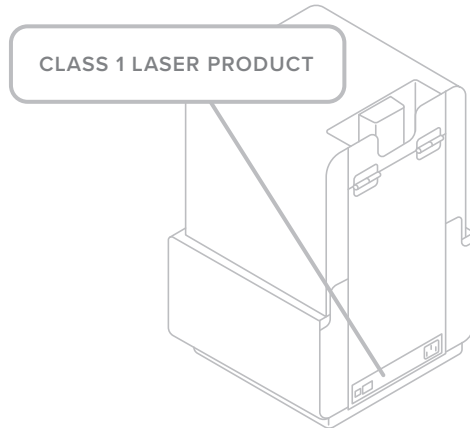
This product is protected under warranty. Formlabs offers a one-year warranty for all Formlabs-branded hardware. Please visit formlabs.com/warranty for more details on the Formlabs warranty for your region.

Questions?

Get answers at support.formlabs.com

Safety First

Never remove the front or back panels of the printer.



RESIN

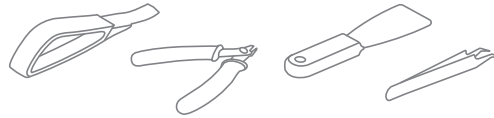
Respect Formlabs resin like any household chemical. Follow standard chemical safety procedures and Formlabs' handling instructions. Wear gloves whenever handling liquid resin or isopropyl alcohol. Refer to the Safety Data Sheet for detailed information at [formlabs.com/sds](https://www.formlabs.com/sds).

Resin is not approved for use with food, drink, or medical applications on the human body. Never ingest resin in liquid or solid form.



SHARP TOOLS

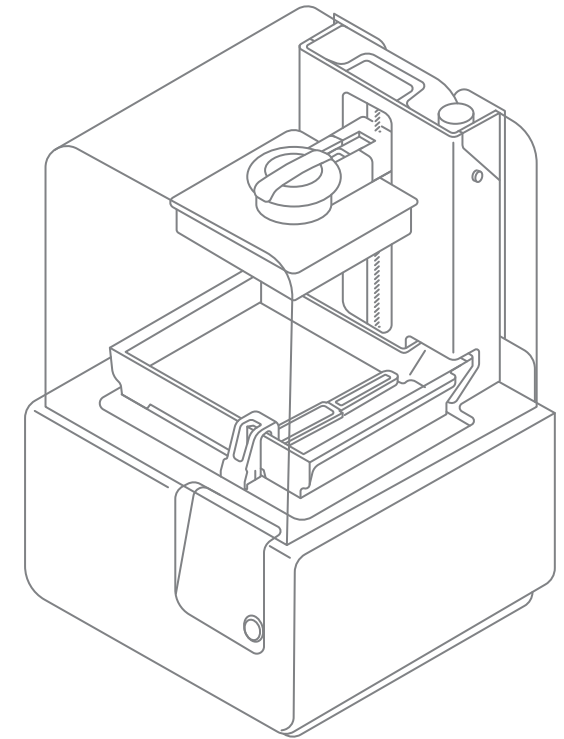
The accessories kit includes sharp tools such as: tweezers, flush cutters, a scraper, and a part removal tool. Using these tools on slippery surfaces (such as a resin-coated build platform) can result in sudden movement.



RADIO INTERFERENCE

This equipment has been tested and found to comply with the limits for a Class B digital device, pursuant to CFR Title 47, Part 15 of FCC Rules. These limits are designed to provide reasonable protection against harmful interference when the equipment is operated in a commercial environment. This equipment generates, uses, and can radiate radio frequency energy and, if not installed and used in accordance with the instruction manual, may cause harmful interference to radio communications. Operation of this equipment in a residential area is likely to cause harmful interference in which case the user will be required to correct the interference at their own expense.

Form 2 Safety



formlabs 